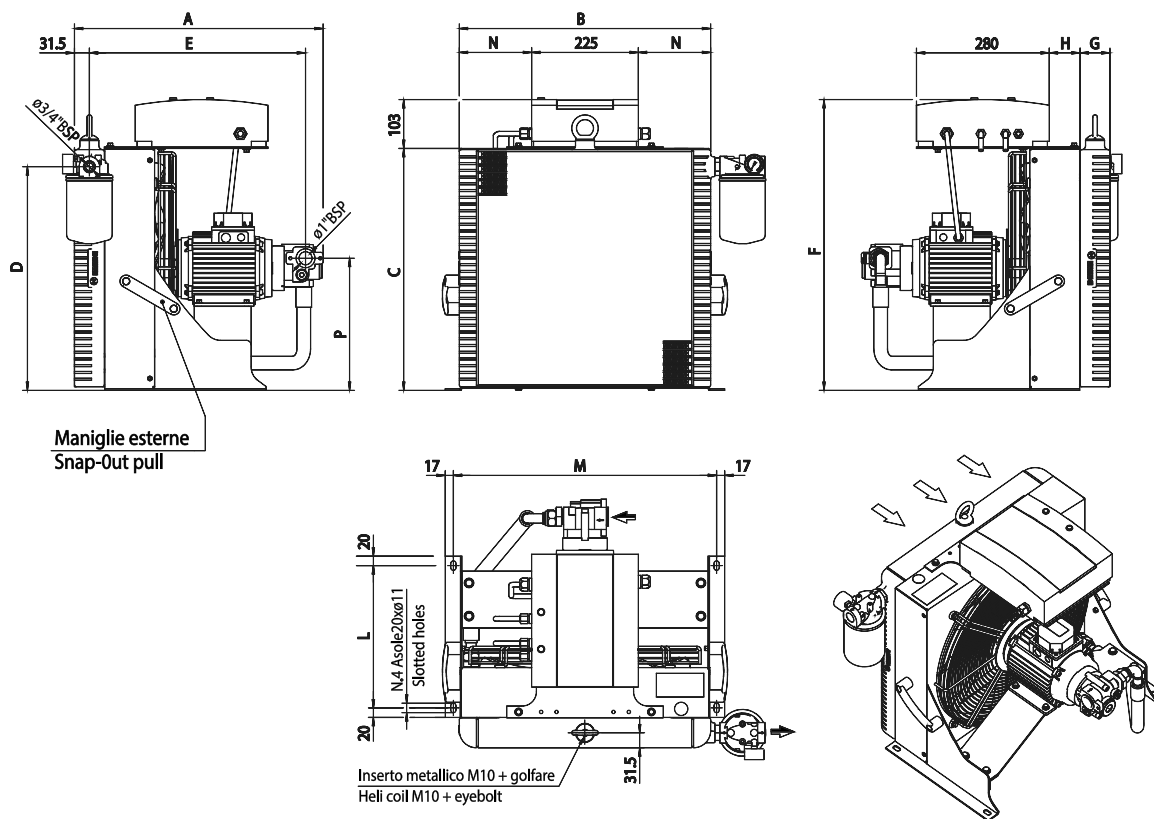




DATI TECNICI  
TECHNICAL DATA



La versione con quadro elettrico è comprensiva di :

- Termostato fisso IP65 - TM46/A1 60-48°C
- Termostato fisso IP65 - TM49/A1 90-78°C
- N°4 Antivibranti Ø 30 L=20mm. M8
- 5 Metri di cavo

With electric box version the supply includes :

- Thermostat integrated IP65 - TM46/A1 60-48°C
- Thermostat integrated IP65 - TM49/A1 90-78°C
- N°4 Anti-vibration Ø 30 L=20mm. M8
- 5 Mt. cable

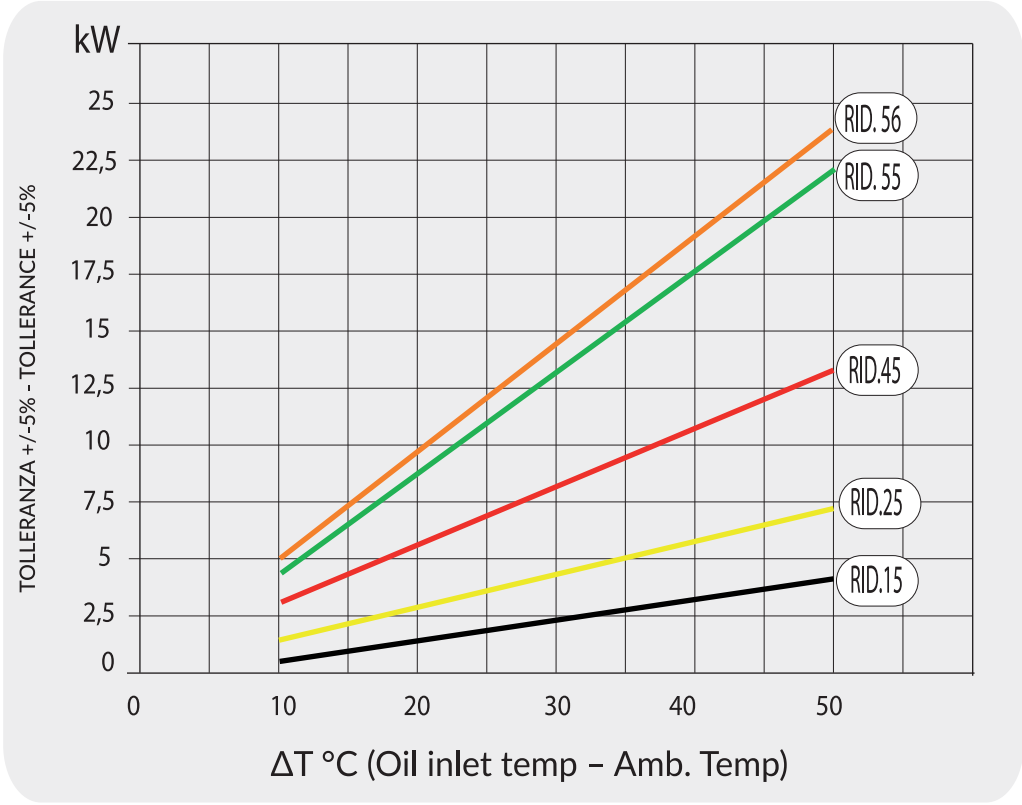
TYPE	A	B	C	D	E	F	G	H	L	M	N	P
RID 15	512	310	312	273.5	442.5	415	63	35.5	280	347	42.5	179.5
RID 25	515	370	360	316.5	446.5	503	63	55	280	400	55	201
RID 45	524	530	510	471.5	456	611	63	65	300	555	152.2	278.5
RID 55	632	650	609	570.5	560.5	712	63	65	380	695	211	305
RID 56	688	650	609	570.5	617	712	63	65	380	695	211	305

Per tensioni speciali contattare EMMEGI - For special voltage contact EMMEGI

TYPE	V	kW	A	Oil Flow (lpm)	Air Flow (m <sup>3</sup> /h)	Kg (max)	Index of protection
RID 15	400 V 50 Hz / 460 V 60 Hz	0.95 / 1.1	2.1 / 2.0	10	700	28	IP 55
RID 25	400 V 50 Hz / 460 V 60 Hz	0.95 / 1.1	2.1 / 2.0	10	1630	30	IP 55
RID 45	400 V 50 Hz / 460 V 60 Hz	0.95 / 1.1	2.1 / 2.0	10	4100	47	IP 55
RID 55	400V 50 Hz	1.1	3.6	23	6048	57	IP 55
RID 56	460V 60Hz	2.2	609	28	7250	68	IP 55



DIAGRAMMA RENDIMENTO ISO VG 46  
PERFORMANCE DIAGRAM (ISO VG 46)



LIVELLO RUMORE db (A)

NOISE LEVEL db (A)

