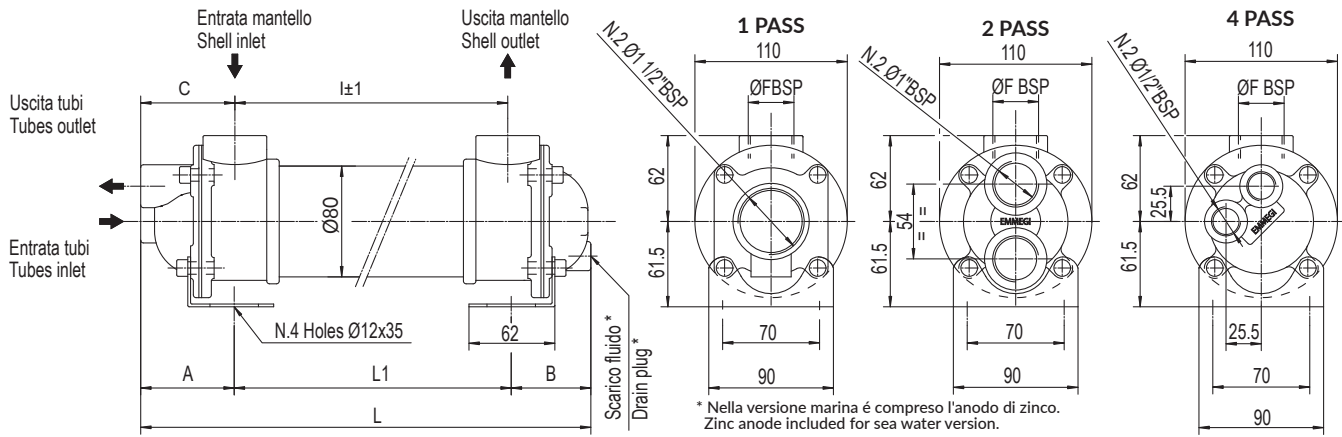




Con circuito acqua ispezionabile a uno-due-quattro passaggi. One-two-four ways inspectable water circuit

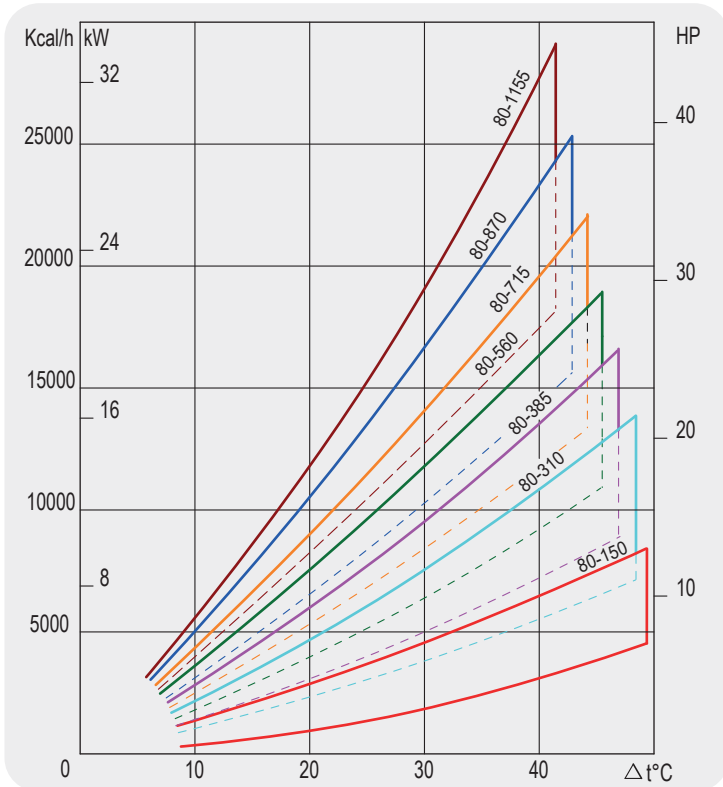


Le dimensioni e le caratteristiche tecniche non sono impegnative. Over-all dimension and technical characteristics are not binding.

TIPO TYPE	TUBI TUBES	PIASTRA TUBIERA TUBES SHEET	DEFLETTORI BAFFLES	FONDI COVERS	MANTELLLO SHELL	GUARNIZIONI SEALS
STANDARD	CuDHP	CuZn40	CuZn37	CuZn40	Fe510.2	Rubber-cork
SEA WATER	CuNi10Mn1Fe	CuZn40	CuZn37	CuZn40	Fe510.2	Rubber-cork

TIPO TYPE	PORTATA OLIO OIL FLOW (lt/min)	HP DISSIPATICON OLIO HP DISSIPATED WTK OIL =55°C H2O=20°C	CAPACITÀ CAPACITY (lt)	kg	DIMENSIONI - Overall dimension												
					ØF	I	L	L1	1 Pass			2Pass			4Pass		
					A	B	C	A	B	C	A	B	C	A	B	C	
MG 80-150-..	25-70	4-8	0.65	4.5	1"	150	321	141	90	90	85.5	72	64	67	72	64	67.5
MG 80-310-..	25-80	7-14	1.1	5.7	1"	310	481	301	90	90	85.5	72	64	67	72	64	67.5
MG 80-385-..	25-80	9-17	1.3	6.0	1"	385	556	376	90	90	85.5	72	64	67	72	64	67.5
MG 80-560-..	25-80	12-20	1.9	7.5	1"	560	731	551	90	90	85.5	72	64	67	72	64	67.5
MG 80-715-..	35-120	15-24	2.3	8.0	1"	715	886	706	90	90	85.5	72	64	67	72	64	67.5
MG 80-870-..	40-130	18-29	2.8	10.0	1"	870	1041	861	90	90	85.5	72	64	67	72	64	67.5
MG 80-1155-..	40-130	22-36	3.7	13.5	1"	1155	1326	1146	90	90	85.5	72	64	67	72	64	67.5

DIAGRAMMA RENDIMENTO
Alla portata massima e minima indicata in tabella
PERFORMANCE DIAGRAM
At the maximum and minimum flow stated in schedule



FATTORE DI CORREZIONE (F)-PERDITE DI CARICO
CORRECTION FACTOR (F)-PRESSURE DROP

cSt	10	15	20	30	40	50	60	80	100	200	300
F	0.5	0.65	0.77	1	1.2	1.4	1.6	1.9	2.1	3.3	4.3

PERDITE DI CARICO (32 cSt) PRESSURE DROP (32 cSt)

