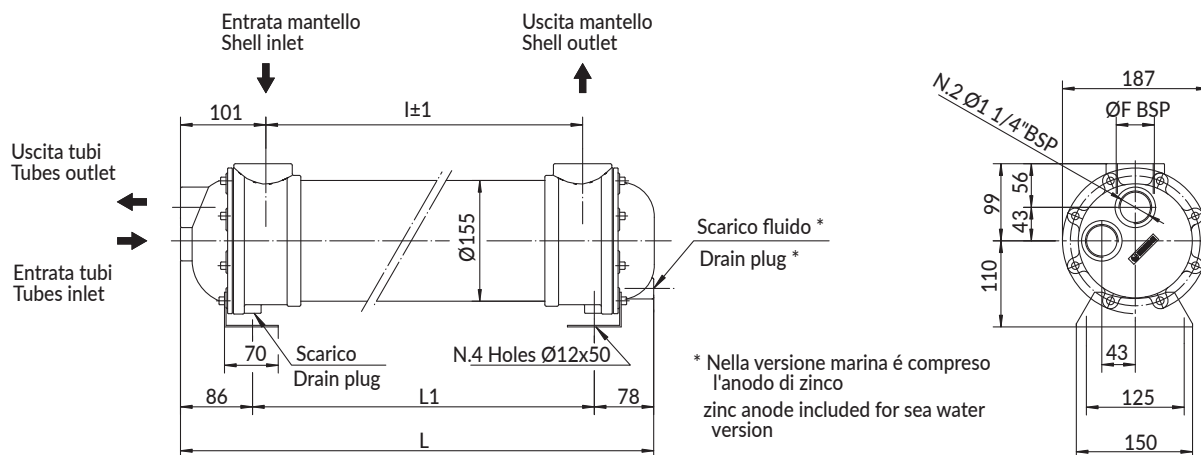




MG Shell & Tubes

MG 157

Con circuito acqua ispezionabile a quattro passaggi. Four ways inspectable water circuit



* Nella versione marina é compreso l'anodo di zinco
zinc anode included for sea water version

Le dimensioni e le caratteristiche non sono impegnative. Over-all dimension and technical characteristics are not binding.

| TIPO TYPE | TUBI TUBES | PIASTRA TUBIERA TUBES SHEET | DEFLETTORI BAFFLES | FONDI COVERS | MANTELLO SHELL | GUARNIZIONI SEALS |
|-----------|-------------|-----------------------------|--------------------|--------------|----------------|-------------------|
| STANDARD | CuDHP | CuZn40 | CuZn37 | CuZn40 | Fe510.2 | Rubber-cork |
| SEA WATER | CuNi10Mn1Fe | CuZn40 | CuZn37 | CuZn40 | Fe510.2 | Rubber-cork |

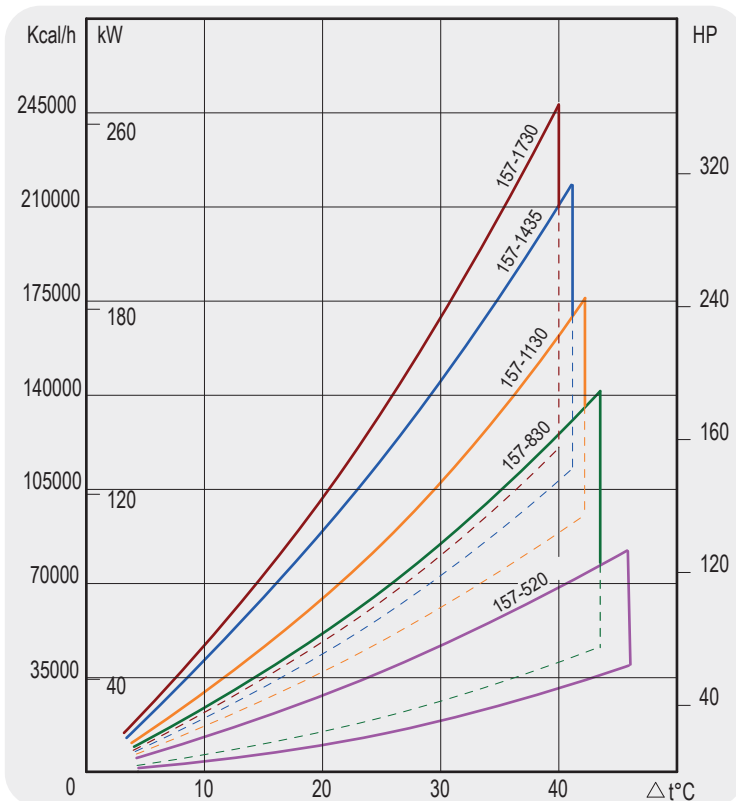
| TIPO TYPE | PORTATA OLIO OIL FLOW (lt/min) | HP DISSIPACION OLIO HP DISSIPATED WTK OIL =55°C H2O=20°C | CAPACITÀ CAPACITY (lt) | kg | DIMENSIONI - Overall dimension | | | |
|-----------------|--------------------------------|--|------------------------|----|--------------------------------|------|------|------|
| | | | | | ØF | I | L | L1 |
| MG 157-520-4.. | 120-300 | 35-92 | 5.5 | 40 | 2" | 520 | 711 | 547 |
| MG 157-830-4.. | 140-380 | 54-166 | 8.4 | 50 | 2" | 830 | 1021 | 857 |
| MG 157-1130-4.. | 160-420 | 110-215 | 11.3 | 59 | 2" | 1130 | 1321 | 1157 |
| MG 157-1435-4.. | 180-450 | 140-280 | 14.1 | 66 | 2" | 1435 | 1626 | 1462 |
| MG 157-1730-4.. | 180-450 | 155-315 | 17 | 76 | 2" | 1730 | 1921 | 1757 |

DIAGRAMMA RENDIMENTO

Alla portata massima e minima indicata in tabella

PERFORMANCE DIAGRAM

At the maximum and minimum flow stated in schedule



FATTORE DI CORREZIONE (F)-PERDITE DI CARICO

CORRECTION FACTOR (F)-PRESSURE DROP

| cSt | 10 | 15 | 20 | 30 | 40 | 50 | 60 | 80 | 100 | 200 | 300 |
|-----|-----|------|------|----|-----|-----|-----|-----|-----|-----|-----|
| F | 0.5 | 0.65 | 0.77 | 1 | 1.2 | 1.4 | 1.6 | 1.9 | 2.1 | 3.3 | 4.3 |

PERDITE DI CARICO (32 cSt)

PRESSURE DROP (32 cSt)

