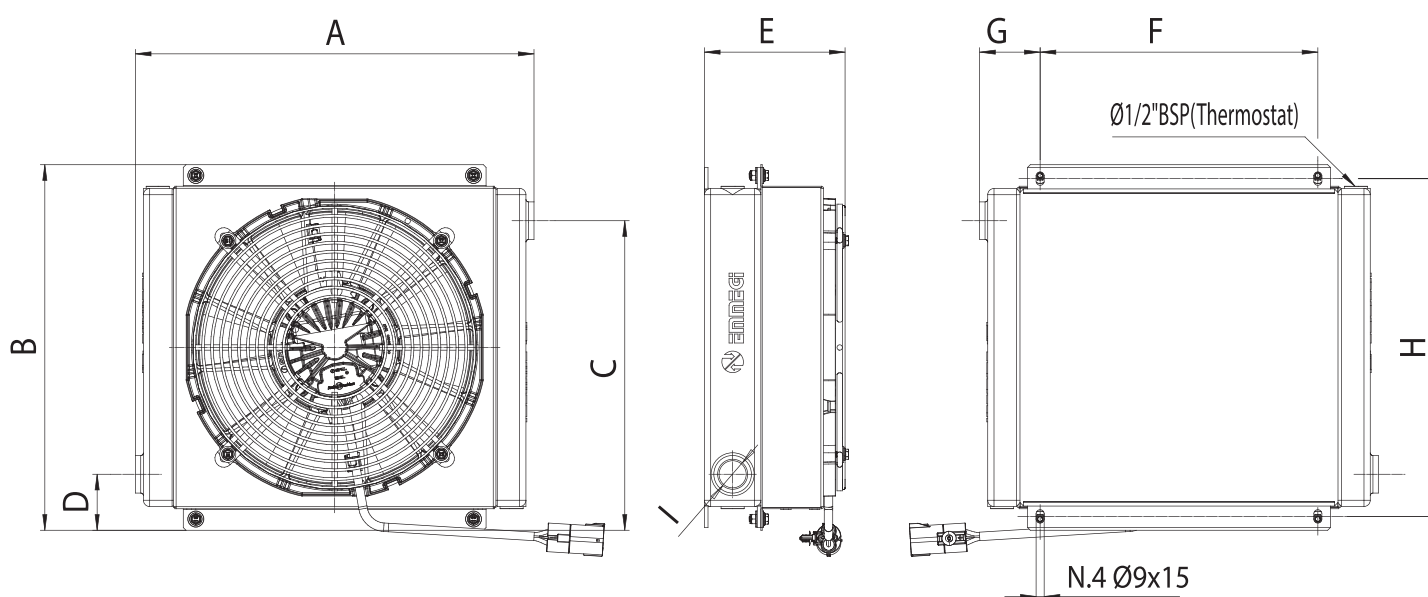




EBR

EBR 24/30/40/44

Cod. Emmegi Par Number	Dati tecnici / Technical data						
	Voltage (V)	Amp. rating (A)	Plug	Fan (number)	db(A)	Approx Weight (Kg)	Cooler volume (l)
EBR242401	24	16	DUCON 2.8	1	78	12	1
EBR302401	24	32	YAZAKI	1	85.5	15	1.6
EBR402401	24	23	YAZAKI	1	79.5	21	2.7
EBR442401	24	23	YAZAKI	1	79.5	26	6.6



Cod. Emmegi Par Number	Dimensioni / Dimension								
	A	B	C	D	E	F	G	H	I
EBR242401	380	340	281	59	219	240	70	315	1" BSP
EBR302401	455	402	342	59	208	310	67.5	377	1" BSP
EBR402401	540	512	450	61.5	210	400	70	487	1 1/4" BSP
EBR442401	600	508	430.5	77.5	240	400	100	483	1 1/4" BSP

Le dimensioni di ingombro e le caratteristiche tecniche non sono impegnative
Overall dimensions and technical characteristic are not binding



DIAGRAMMA RENDIMENTO CON OLIO ISOVG 46 / OIL ISO VG 46 PERFORMANCE

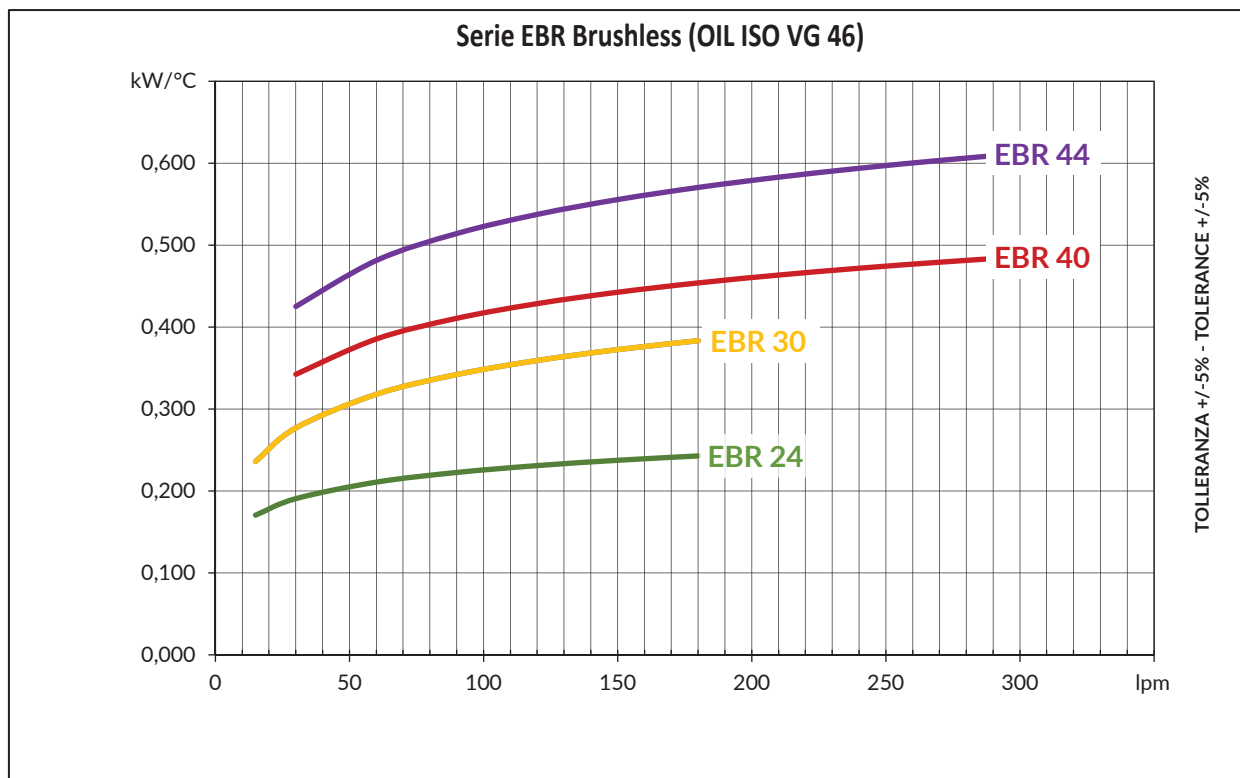


DIAGRAMMA PERDITE DI CARICO OLIO ISOVG 46 / OIL ISO VG 46 PRESSURE DROP

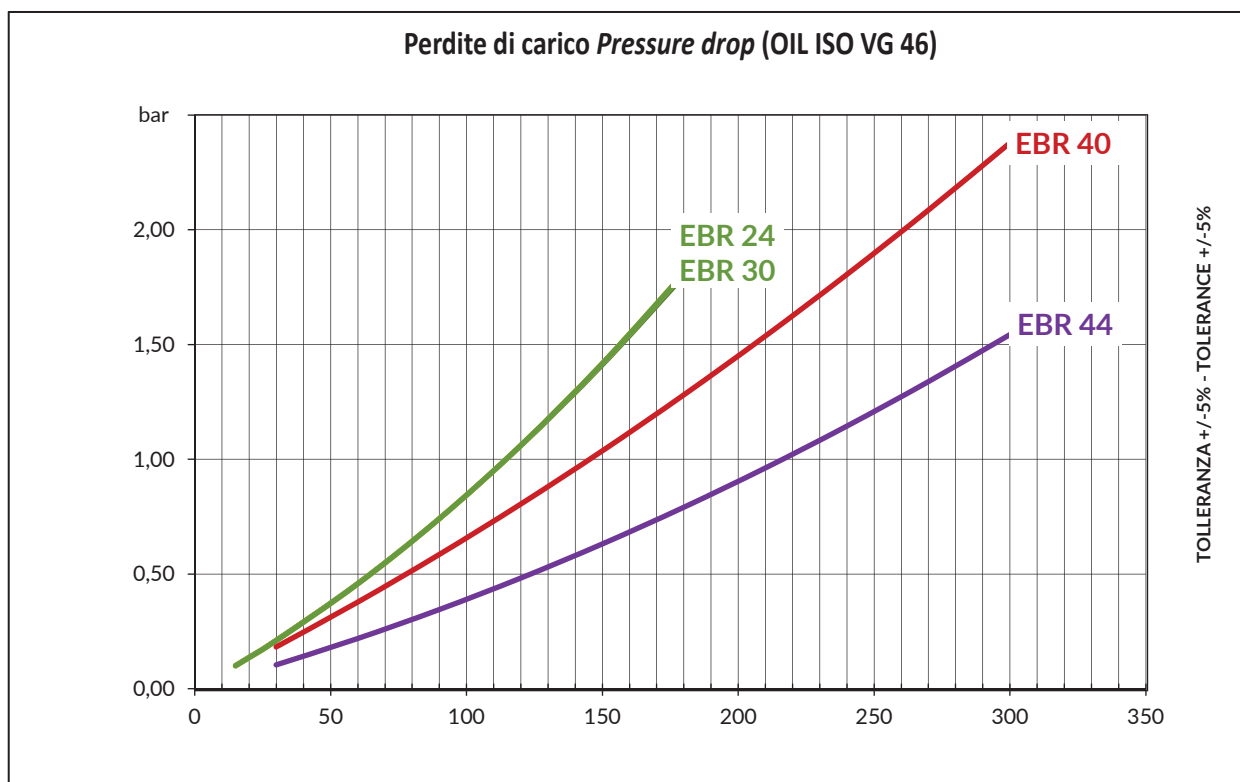




DIAGRAMMA RENDIMENTO ACQUA-GLICOLE 50% / WATER-GLYCOL 46 PERFORMANCE

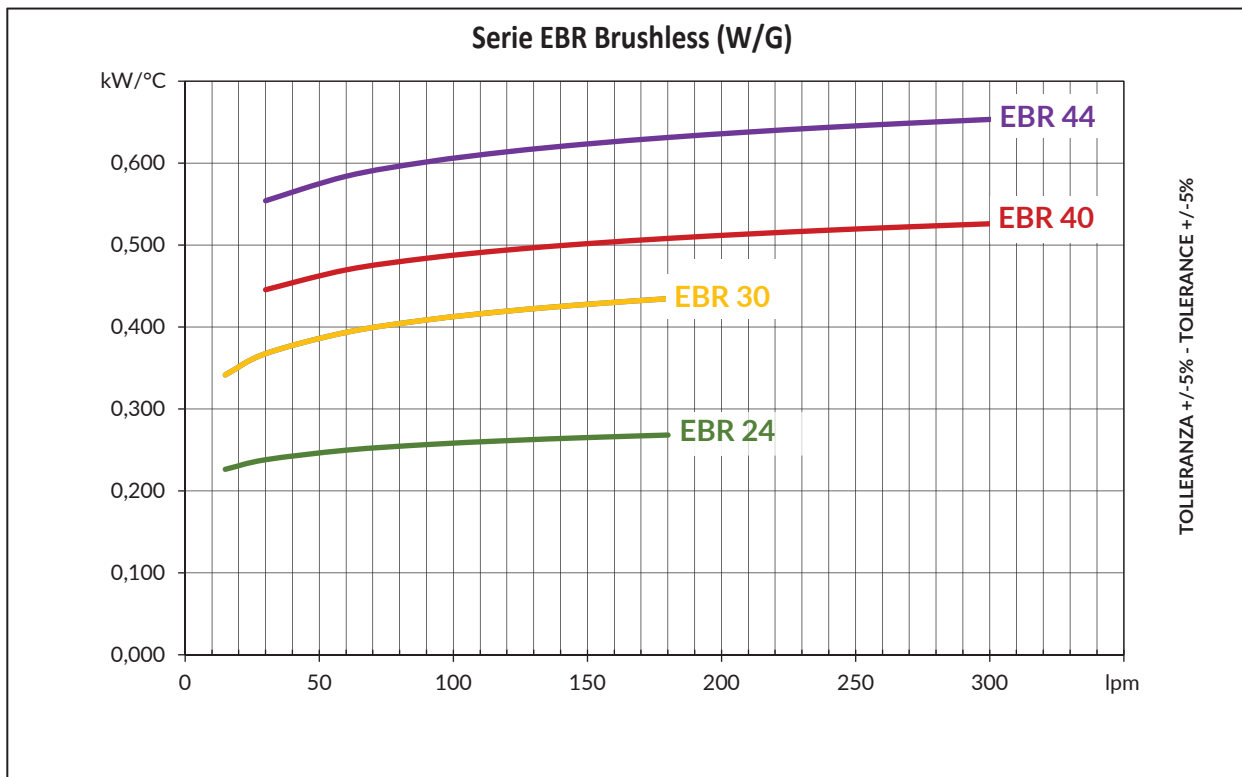


DIAGRAMMA PERDITE DI CARICO ACQUA-GLICOLE 50% / WATER-GLYCOL 50% PERFORMANCE

