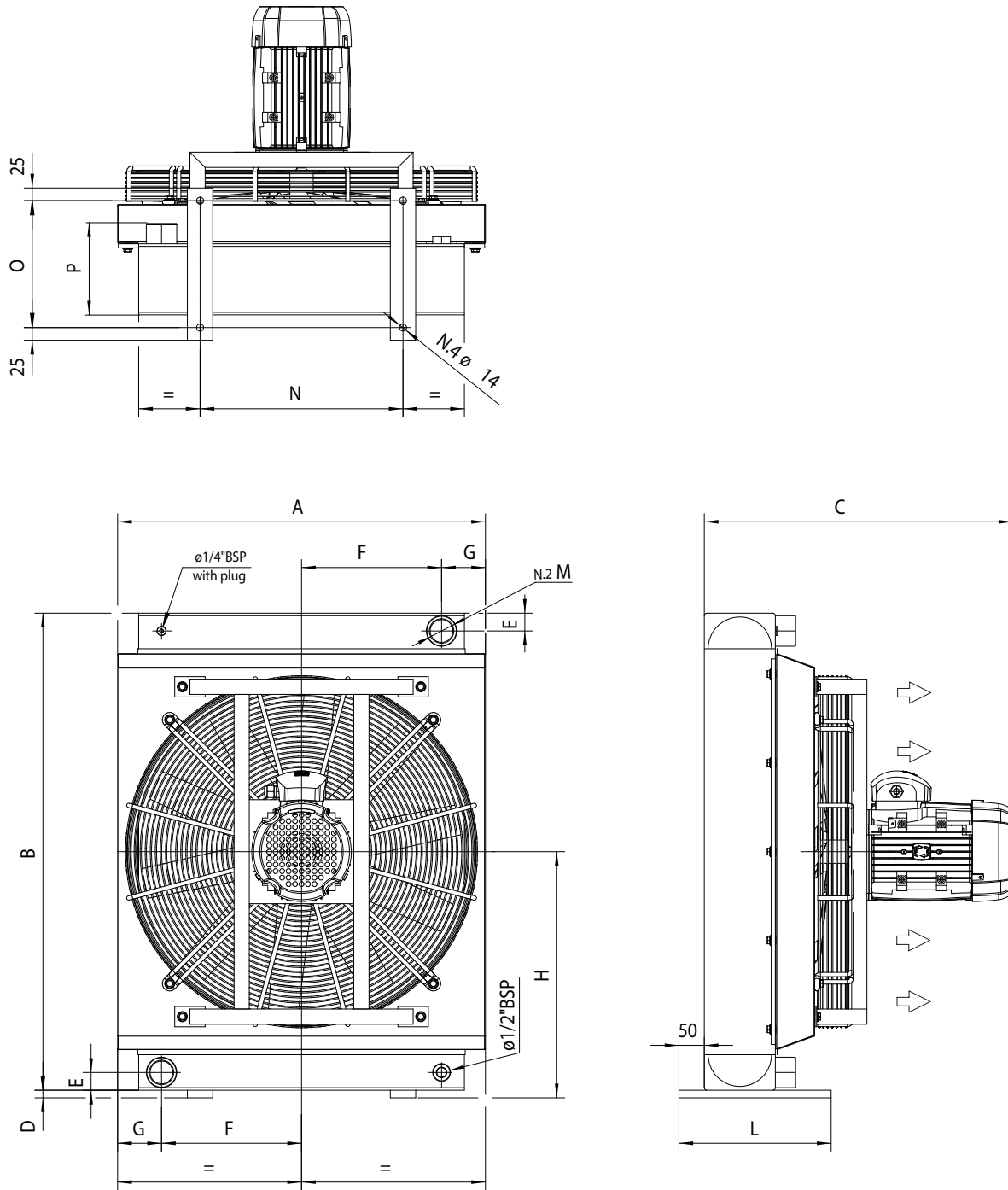




HPA LARGER SERIES AC ELECTRIC MOTOR



Model	A	B	C	D	E	F	G	H	L	M	N	O	P
HPA 72 A035700400B#1	725	940	603	15	35	276	86,5	485	300	1 1/2" BSP	400	250	180

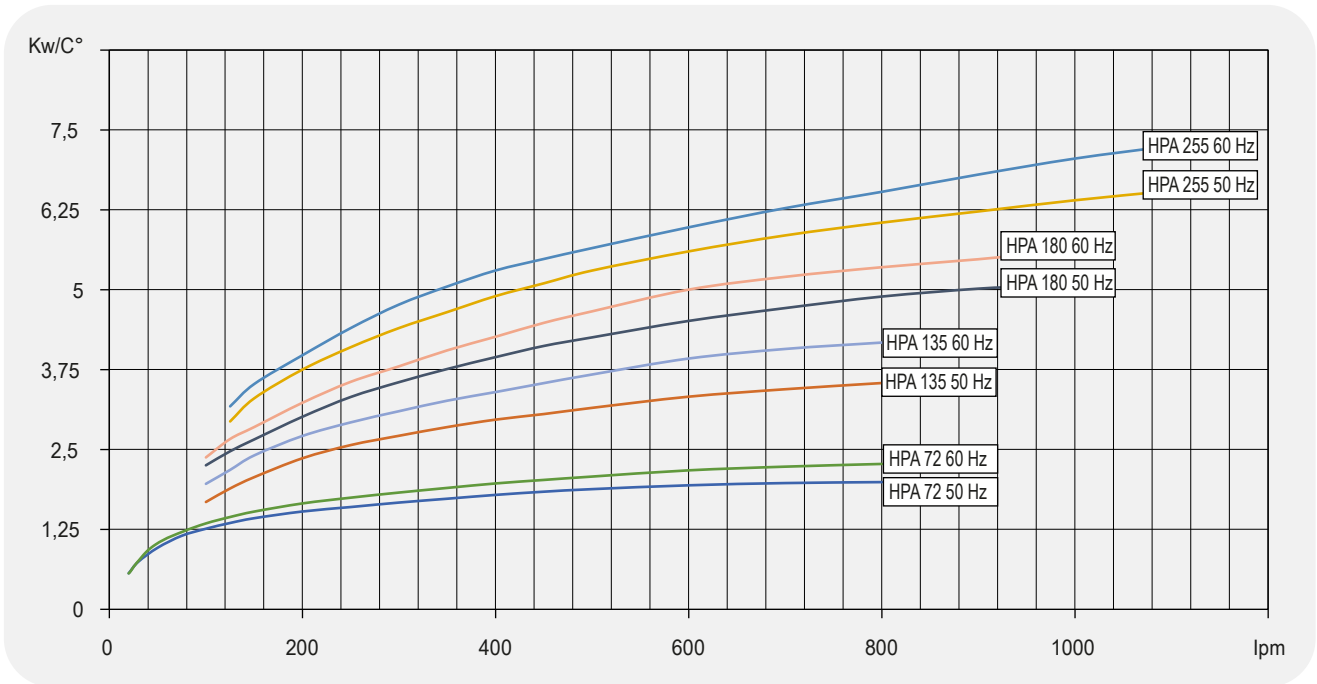
P/N	V	Hz	kW	A	rpm	dB(A)***	IP	lt	Kg
HPA 72 A035700400B#1	230-400 / 265-460V	50/60	2,2 / 2,5	8,3/4,8	1435/1722	79/82	55	19	105

Le dimensioni di ingombro e le caratteristiche tecniche non sono impegnative
Over-all dimensions and technical characteristic are not binding



HPA LARGER SERIES AC ELECTRIC MOTOR

Performance diagram with oil ISO VG 32 @ 50 °C



Pressure drop whit oil VG 32 @ 50 °C

