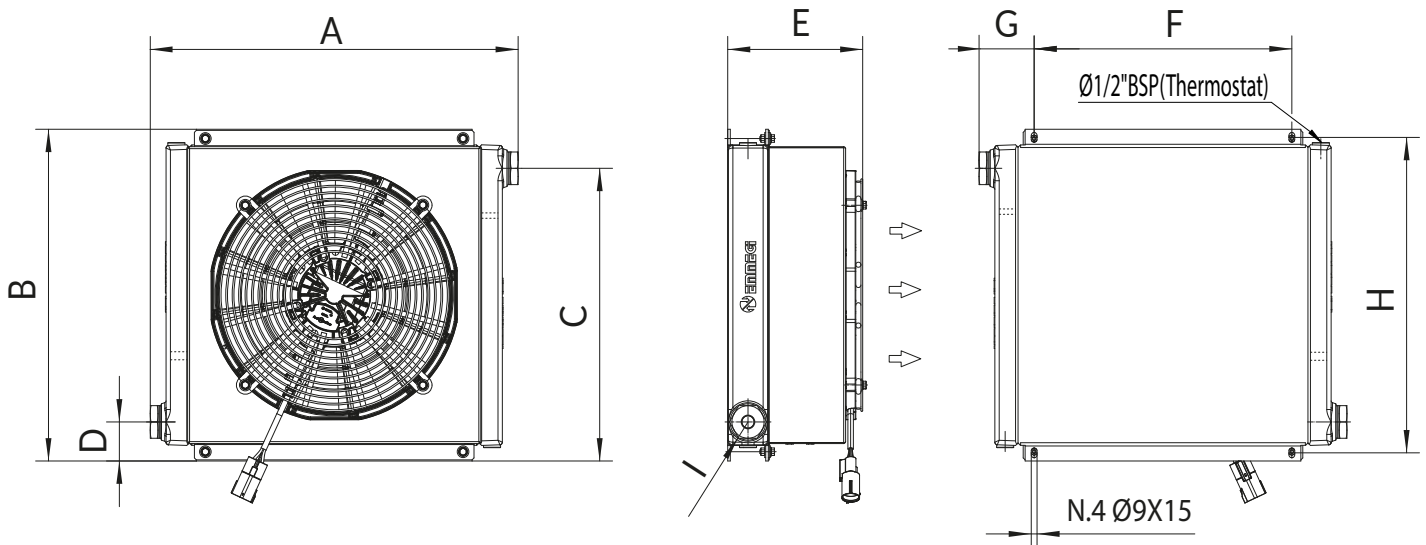




DC brushless coolers EBR D4/D5/D6

Cod. Emmegi Par Number	Dati tecnici / Technical data						
	Voltage (V)	Amp. rating (A)	Plug	Fan (number)	db(A)	Approx Weight (Kg)	Cooler volume (l)
EBRD42401	24	16	DUCON 2.8	1	78	12	1
EBRD52401	24	32	YAZAKI	1	85.5	15	1.6
EBRD62401	24	23	YAZAKI	1	79.5	21	2.7

Cod. Emmegi Par Number	Dimensioni / Dimension								
	A	B	C	D	E	F	G	H	I
EBRD42401	403	340	281	59	219	240	81.5	316	1/2" BSP
EBRD52401	468	401.5	342	59	208	305	81.5	376	1/2" BSP
EBRD62401	577	508	449	60	209	400	88	486	1/2" BSP

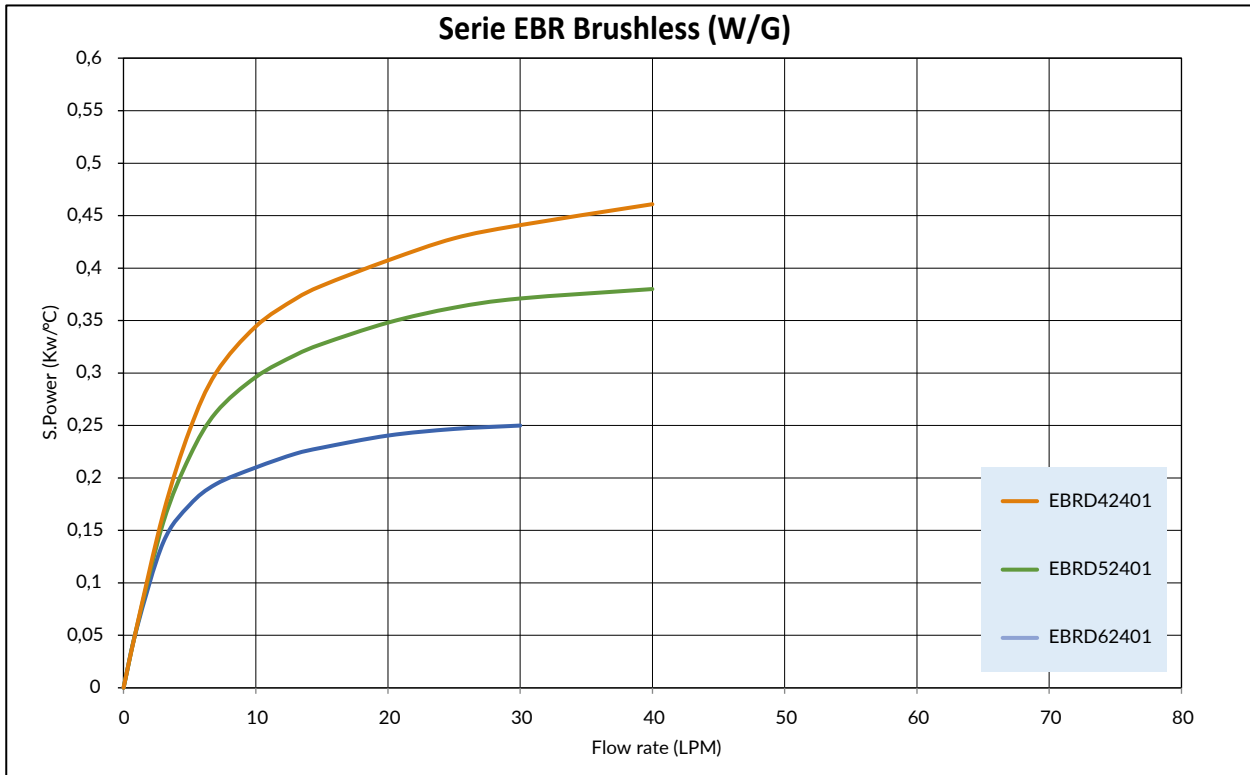




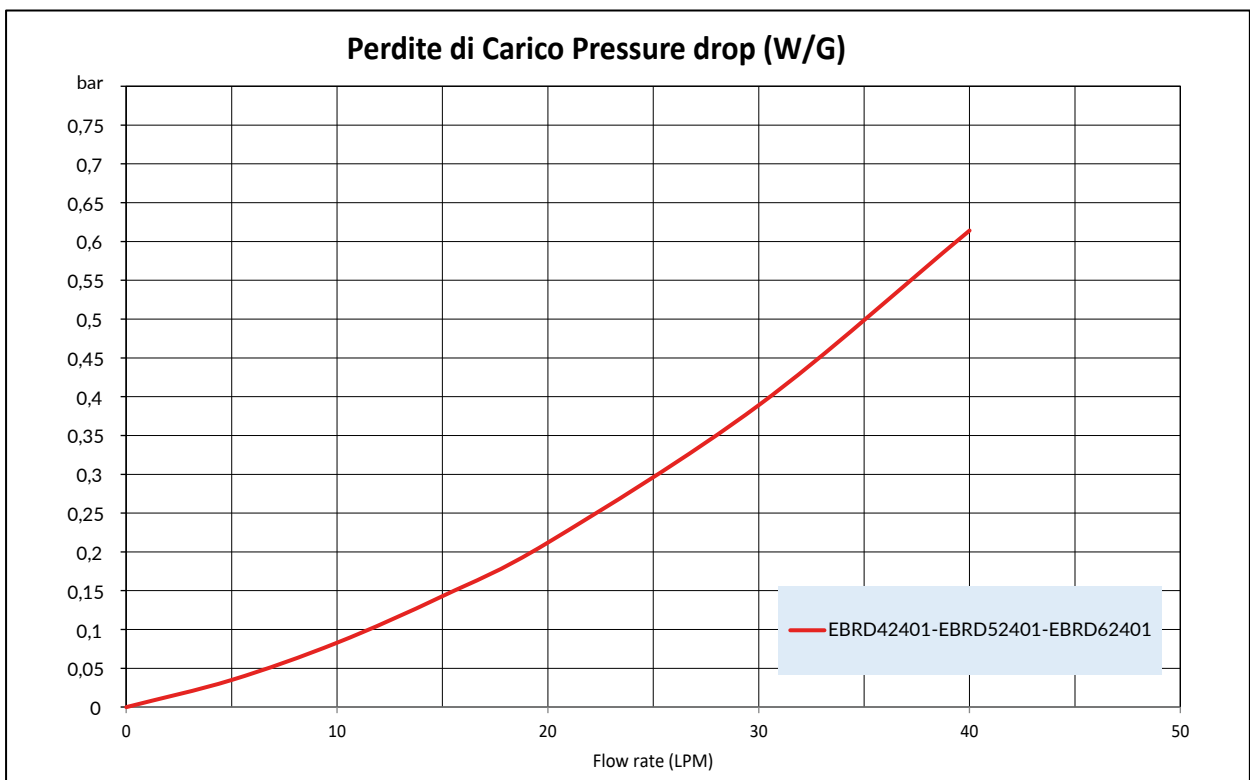
DC brushless coolers

EBR D4/D5/D6

DIAGRAMMA RENDIMENTO CON ACQUA-GLICOLE 50 % / WATER-GLYCOL 50 % PERFORMANCE



PERDITE DI CAICO CON ACQUA-GLICOLE 50 % / WATER-GLYCOL 50 % PRESSURE DROP



Tolleranza sulla prestazione : $\pm 5\%$ Performance tolerance : $\pm 5\%$