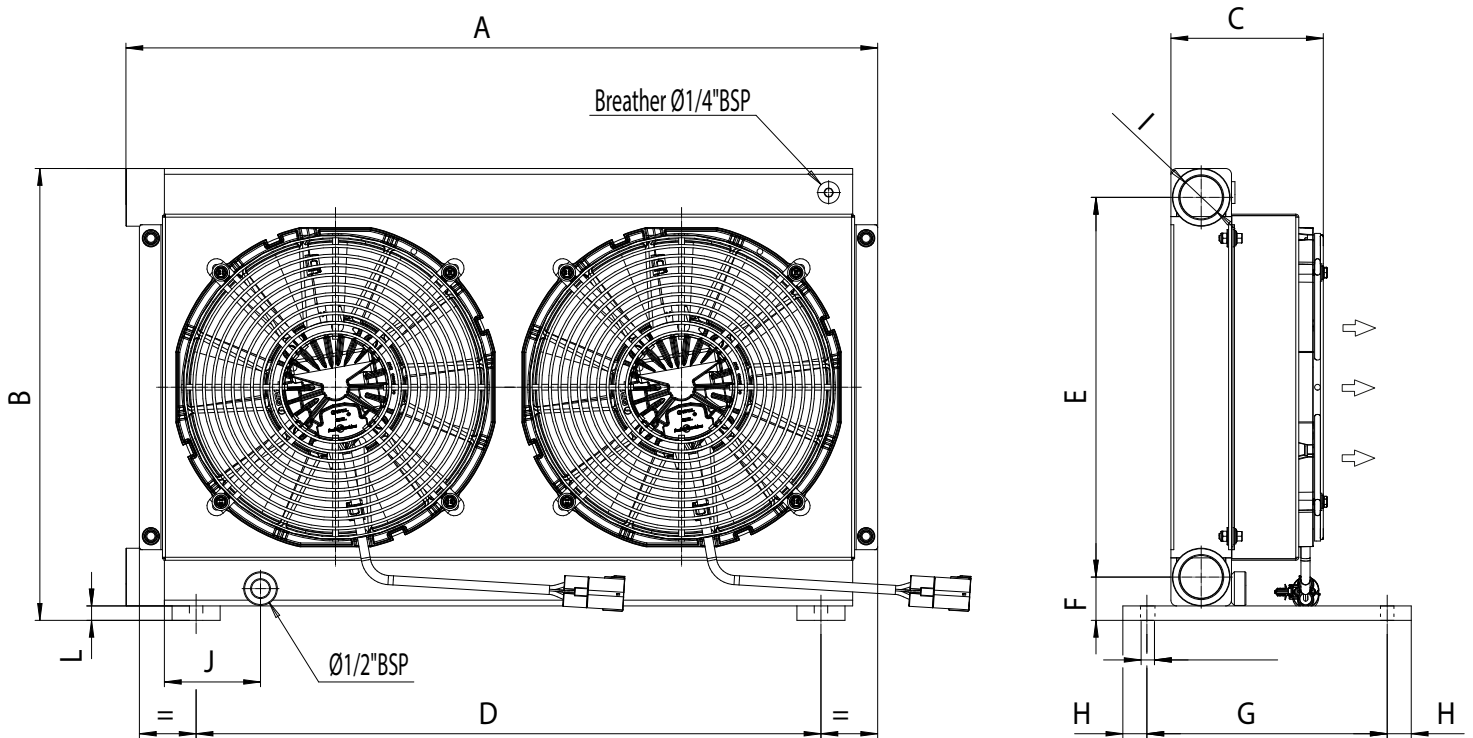




DC brushless coolers EBR 60/70

| Cod. Emmegi Par Number | Dati tecnici / Technical data | | | | | | |
|---------------------------|-------------------------------|-----------------|--------|--------------|-------|--------------------|-------------------|
| | Voltage (V) | Amp. rating (A) | Plug | Fan (number) | db(A) | Approx Weight (Kg) | Cooler volume (l) |
| EBR602401 | 24 | 32 (x2) | YAZAKI | 2 | 88.5 | 31 | 3.2 |
| EBR702401 | 24 | 23 (x2) | YAZAKI | 2 | 88.5 | 43 | 5.4 |

| Cod. Emmegi Par Number | Dimensioni / Dimension | | | | | | | | | |
|---------------------------|------------------------|-----|-----|-----|-----|----|-----|----|------------|-----|
| | A | B | C | D | E | F | G | H | I | J |
| EBR602401 | 782 | 470 | 208 | 650 | 395 | 45 | 250 | 25 | 1 1/2" BSP | 100 |
| EBR702401 | 982 | 565 | 208 | 850 | 490 | 45 | 250 | 25 | 1 1/2" BSP | 100 |



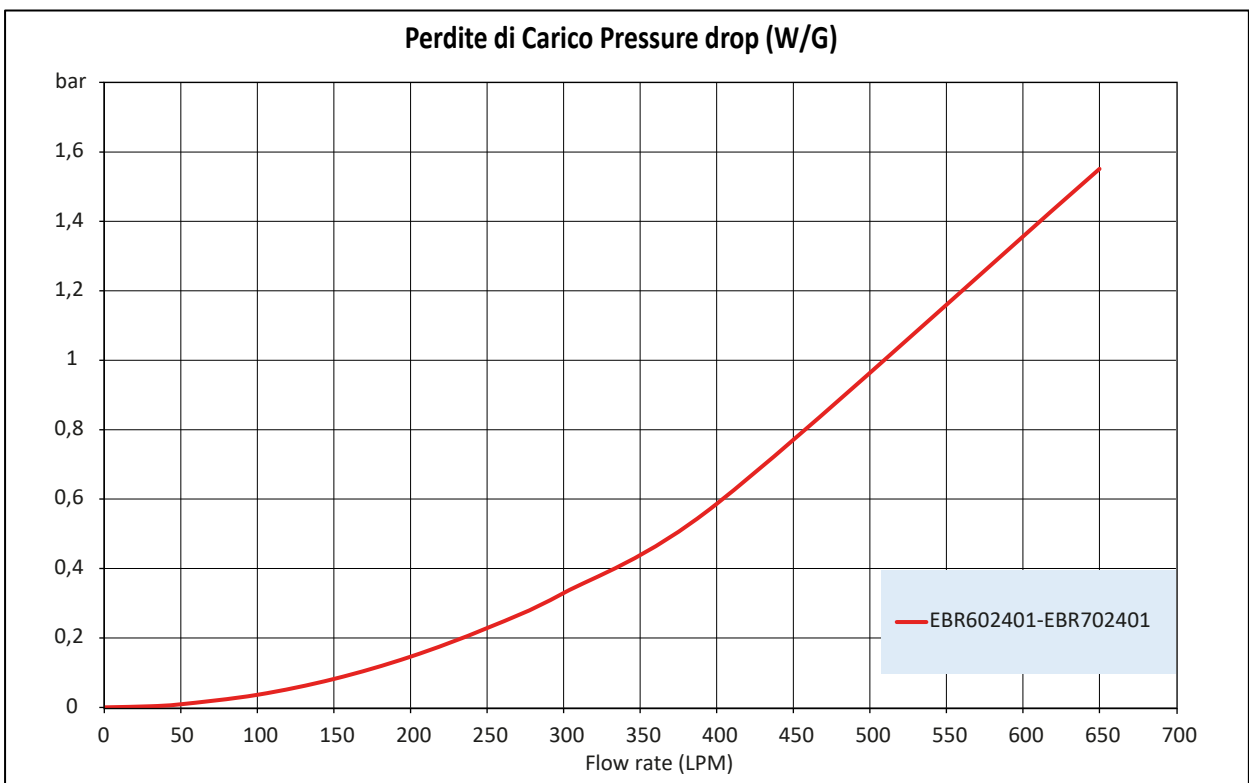


DC brushless coolers EBR 60/70

DIAGRAMMA RENDIMENTO CON ACQUA-GLICOLE 50 % / WATER-GLYCOL 50 % PERFORMANCE



PERDITE DI CARICO CON ACQUA-GLICOLE 50 % / WATER-GLYCOL 50 % PRESSURE DROP



Tolleranza sulla prestazione : $\pm 5\%$ Performance tolerance : $\pm 5\%$