



DC brushless coolers EBR 60/70

Cod. Emmegi Par Number	Dati tecnici / Technical data						
	Voltage (V)	Amp. rating (A)	Plug	Fan (number)	db(A)	Approx Weight (Kg)	Cooler volume (l)
EBR602401	24	32 (x2)	YAZAKI	2	88.5	31	3.2
EBR702401	24	23 (x2)	YAZAKI	2	88.5	43	5.4

Cod. Emmegi Par Number	Dimensioni / Dimension									
	A	B	C	D	E	F	G	H	I	J
EBR602401	782	470	208	650	395	45	250	25	1 1/2" BSP	100
EBR702401	982	565	208	850	490	45	250	25	1 1/2" BSP	100

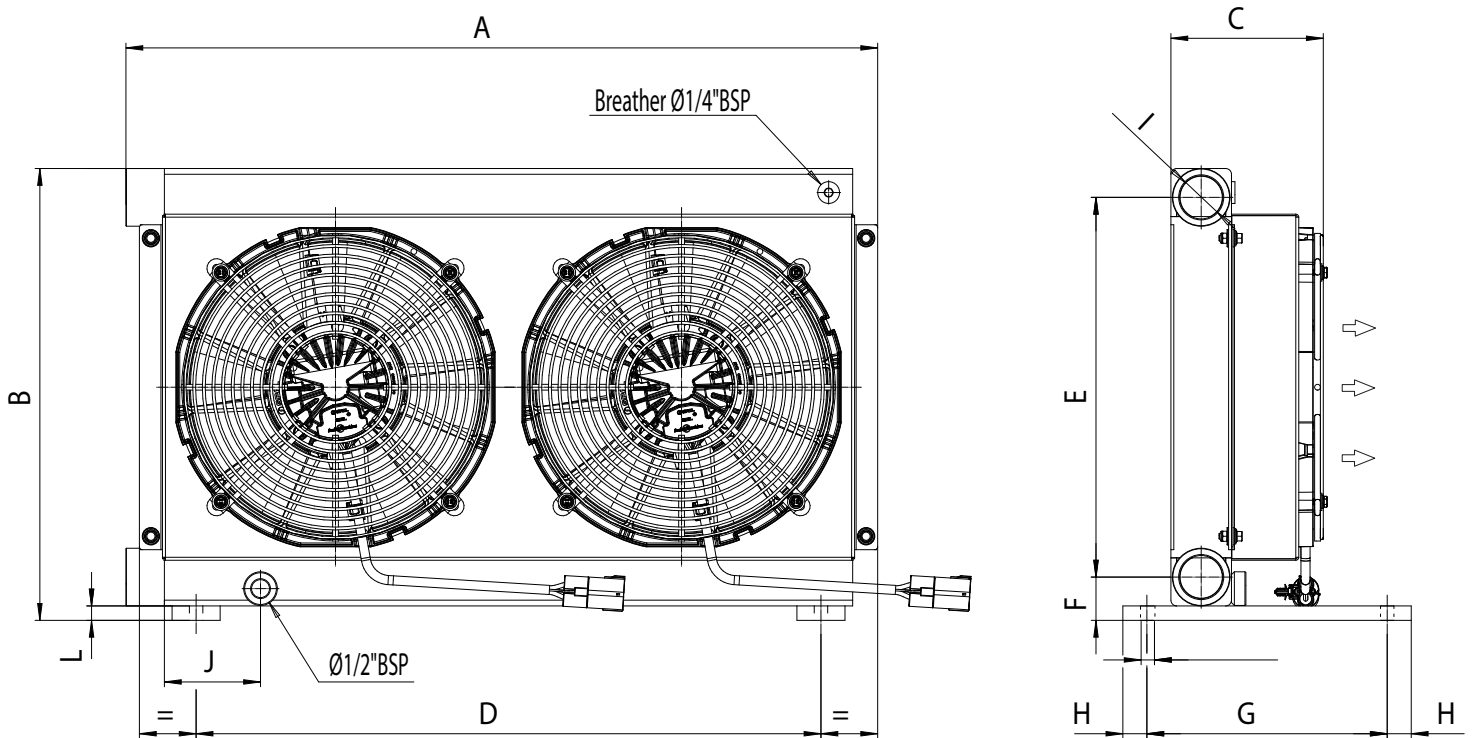




DIAGRAMMA RENDIMENTO CON OLIO ISOVG 46 / OIL ISOVG 46 PERFORMANCE

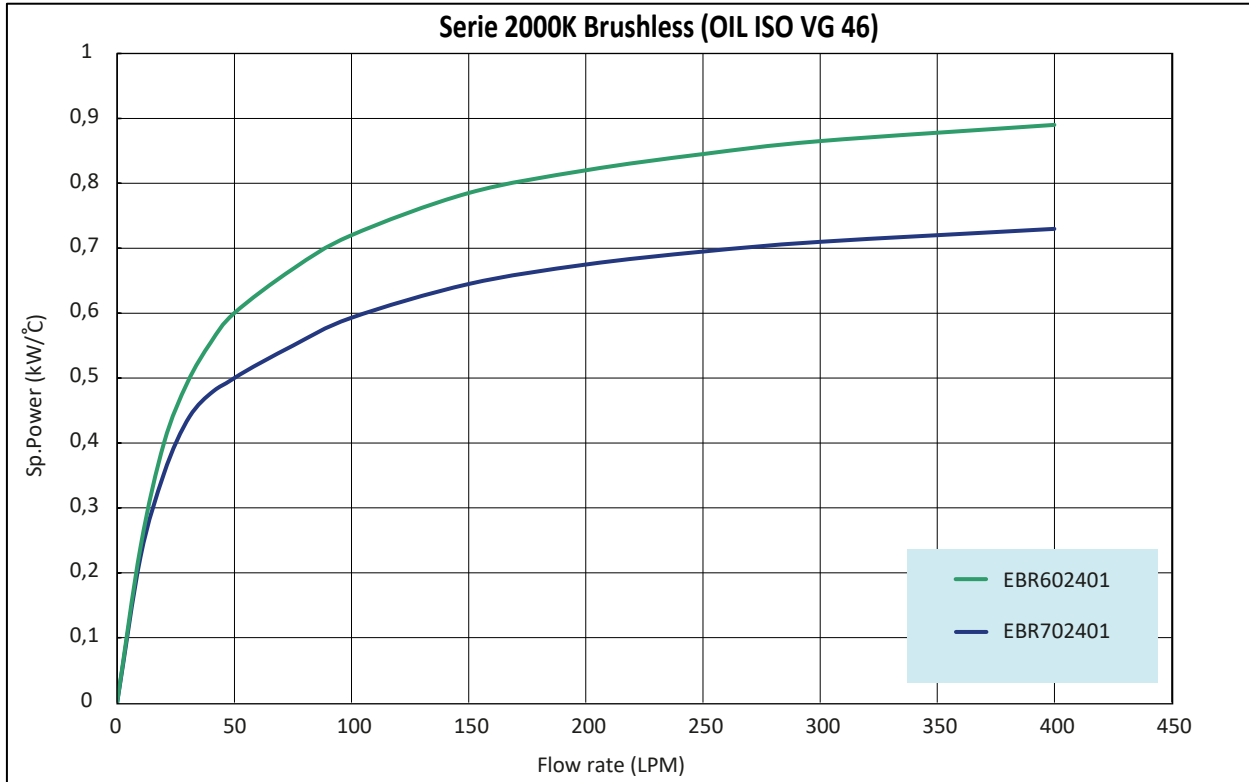
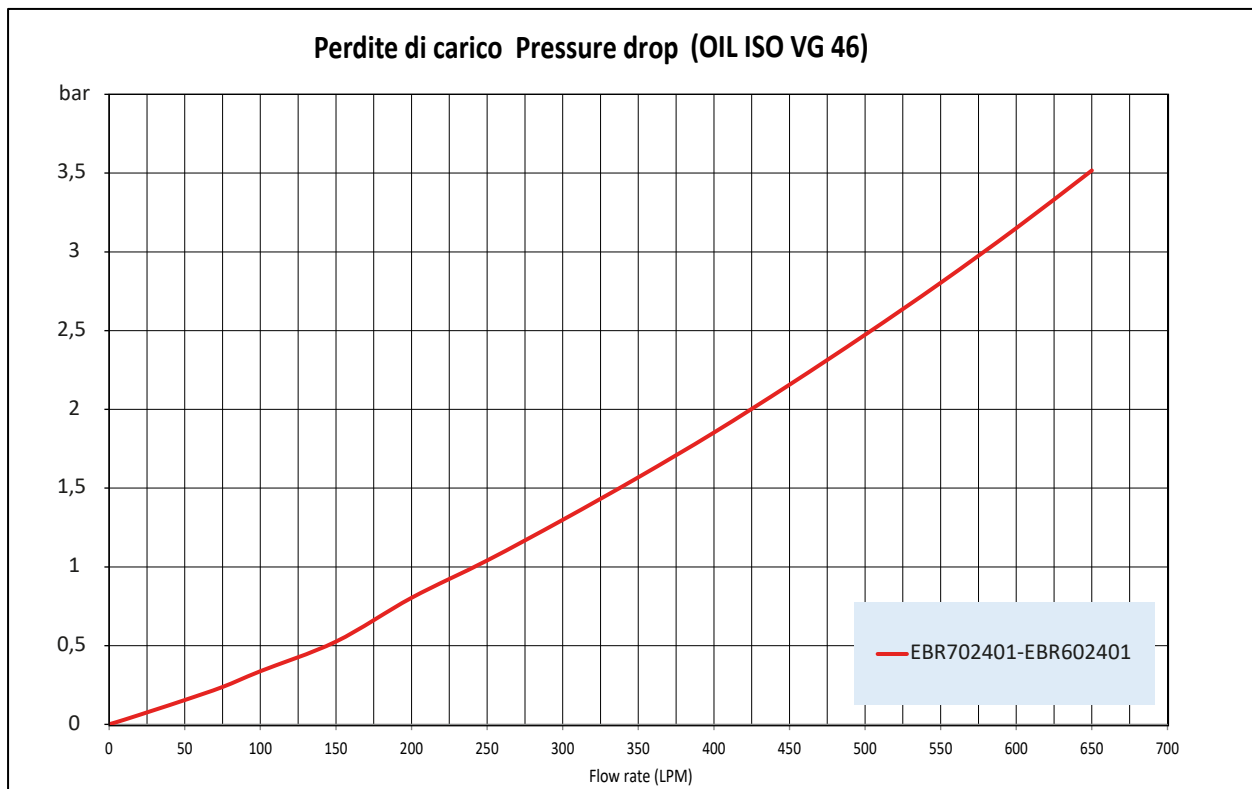


DIAGRAMMA PERDITE DI CARICO OLIO ISOVG 46 / OIL ISOVG 46 PRESSURE DROP



Tolleranza sulla prestazione : ± 5% Performance tolerance : ± 5%